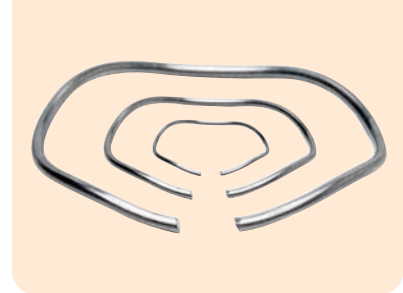


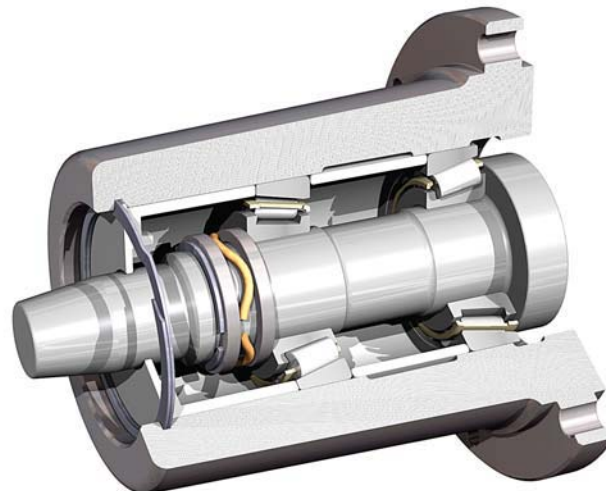
Stock Items in carbon and stainless steel.

Manufactured in USA



Smalley Part Number ^{1, 4}	Operates in Bore Diameter	Clears Shaft Diameter	Load (lb)	Work Height	Free Height ²	Number of Waves	Wire Diameter	Spring Rate ^{2,3}
RW-0050	.500	.408	35	.052	.062	3	.031	3,500
RW-0062	.625	.517	50	.064	.077	3	.038	3,846
RW-0075	.750	.628	70	.076	.092	3	.045	4,375
RW-0087	.875	.740	80	.086	.104	3	.051	4,444
RW-0100	1.000	.855	90	.095	.116	3	.056	4,286
RW-0112	1.125	.967	100	.102	.127	3	.060	4,000
RW-0125	1.250	1.081	110	.110	.138	3	.065	3,929
RW-0137	1.375	1.223	120	.095	.121	4	.056	4,615
RW-0150	1.500	1.339	130	.102	.128	4	.060	5,000
RW-0162	1.625	1.444	140	.110	.137	4	.065	5,185
RW-0175	1.750	1.564	150	.113	.144	4	.067	4,839
RW-0187	1.875	1.682	160	.119	.155	4	.070	4,444
RW-0200	2.000	1.803	170	.124	.165	4	.072	4,146
RW-0212	2.125	1.906	180	.129	.162	4	.076	5,455
RW-0225	2.250	2.023	190	.136	.168	4	.080	5,938
RW-0237	2.375	2.141	200	.141	.178	4	.083	5,405
RW-0250	2.500	2.261	210	.144	.185	4	.085	5,122
RW-0262	2.625	2.374	220	.153	.203	4	.090	4,400
RW-0275	2.750	2.497	230	.154	.212	4	.091	3,966
RW-0287	2.875	2.618	240	.158	.210	4	.093	4,615
RW-0300	3.000	2.767	250	.141	.179	5	.083	6,579
RW-0312	3.125	2.878	260	.144	.184	5	.085	6,500
RW-0325	3.250	2.992	270	.153	.190	5	.090	7,297
RW-0337	3.375	3.115	280	.154	.195	5	.091	6,829
RW-0350	3.500	3.236	290	.158	.201	5	.093	6,744
RW-0362	3.625	3.356	300	.161	.206	5	.095	6,667
RW-0375	3.750	3.475	310	.166	.212	5	.098	6,739
RW-0387	3.875	3.595	320	.170	.208	5	.100	8,421
RW-0400	4.000	3.718	330	.170	.225	5	.100	6,000
RW-0412	4.125	3.827	335	.175	.221	5	.105	7,283
RW-0425	4.250	3.948	345	.178	.225	5	.105	7,340
RW-0437	4.375	4.063	350	.187	.240	5	.110	6,604
RW-0450	4.500	4.185	360	.187	.247	5	.110	6,000
RW-0462	4.625	4.310	365	.187	.253	5	.110	5,530
RW-0475	4.750	4.431	375	.190	.257	5	.112	5,597
RW-0487	4.875	4.555	380	.190	.264	5	.112	5,135
RW-0500	5.000	4.672	390	.195	.265	5	.116	5,571
RW-0512	5.125	4.772	400	.200	.274	5	.118	5,405
RW-0525	5.250	4.893	410	.204	.279	5	.120	5,467
RW-0537	5.375	5.037	420	.187	.245	6	.110	7,241
RW-0550	5.500	5.162	430	.187	.251	6	.110	6,719
RW-0562	5.625	5.283	440	.190	.245	6	.112	8,000
RW-0575	5.750	5.406	450	.190	.251	6	.112	7,377
RW-0587	5.875	5.524	460	.197	.262	6	.116	7,077
RW-0600	6.000	5.644	470	.200	.268	6	.118	6,912

¹ Add suffix "-S17" for 17-7 stainless steel.
² Reference dimension.
³ Spring rate is measured in lb/in.
⁴ See pages 106-107 for How to Order.



SPRINGS

