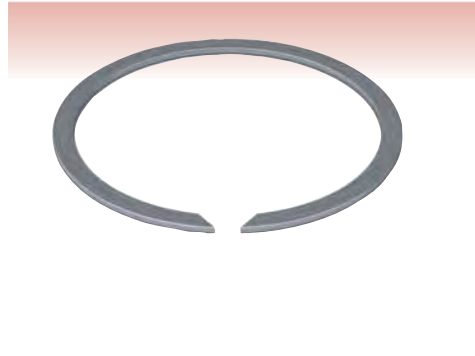
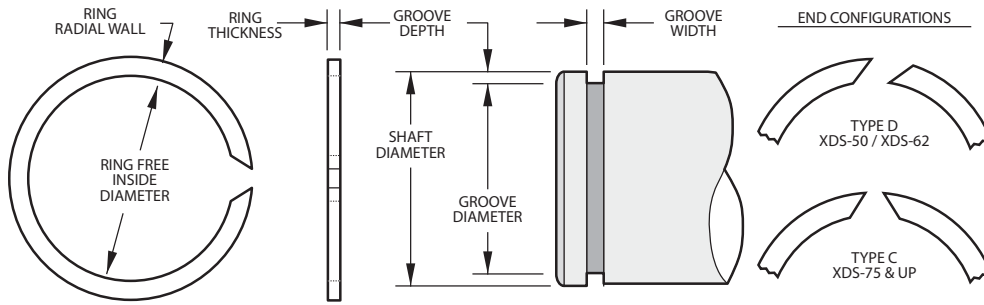


Stock Items available in carbon steel and 302 stainless steel.



Product Dimensions All dimensions are in inches unless otherwise specified.

Smalley Part Number ^{1,4}	Shaft Diameter	Ring			Groove		Thrust Capacity	
		Inside Diameter	Radial Wall	Thickness	Diameter	Width	Groove Yield (lb) ²	Ring Shear (lb) ³
XDS-50	.500	.465	.048	.035	.474	.039	459	2,073
XDS-62	.625	.587	.062	.035	.597	.039	619	2,592
XDS-75	.750	.704	.078	.042	.716	.046	901	3,770
XDS-87	.875	.823	.093	.042	.833	.046	1,299	4,398
XDS-100	1.000	.944	.093	.042	.954	.046	1,626	5,027
XDS-112	1.125	1.065	.125	.042	1.077	.046	1,909	5,655
XDS-118	1.187	1.120	.125	.042	1.135	.046	2,182	5,967
XDS-125	1.250	1.179	.125	.042	1.194	.046	2,474	6,283
XDS-131	1.312	1.232	.125	.042	1.252	.046	2,782	6,595
XDS-137	1.375	1.289	.125	.042	1.309	.046	3,207	6,912
XDS-143	1.437	1.349	.125	.042	1.369	.046	3,454	7,223
XDS-150	1.500	1.410	.125	.042	1.430	.046	3,711	7,540
XDS-162	1.625	1.520	.156	.042	1.545	.046	4,595	8,168
XDS-168	1.687	1.582	.156	.042	1.607	.046	4,770	8,480
XDS-175	1.750	1.645	.156	.042	1.670	.046	4,948	8,796
XDS-193	1.937	1.832	.156	.042	1.857	.046	5,477	9,736
XDS-200	2.000	1.895	.156	.042	1.920	.046	5,655	10,053
XDS-218	2.187	2.082	.156	.042	2.107	.046	6,184	10,993
XDS-225	2.250	2.145	.156	.042	2.170	.046	6,362	11,310
XDS-237	2.375	2.270	.156	.042	2.295	.046	6,715	11,938
XDS-250	2.500	2.390	.156	.042	2.420	.046	7,069	12,566
XDS-275	2.750	2.596	.187	.062	2.626	.068	12,052	19,369
XDS-293	2.937	2.783	.187	.062	2.813	.068	12,871	20,687
XDS-300	3.000	2.846	.187	.062	2.876	.068	13,148	21,130
XDS-312	3.125	2.965	.187	.062	3.000	.068	13,806	22,011
XDS-325	3.250	3.090	.187	.062	3.125	.068	14,358	22,891
XDS-337	3.375	3.215	.187	.062	3.250	.068	14,910	23,772
XDS-350	3.500	3.340	.187	.062	3.375	.068	15,463	24,652
XDS-375	3.750	3.570	.218	.078	3.610	.086	18,555	31,809
XDS-400	4.000	3.820	.218	.078	3.860	.086	19,792	33,929
XDS-425	4.250	4.070	.218	.078	4.110	.086	21,029	36,050
XDS-450	4.500	4.320	.218	.078	4.360	.086	22,266	38,170
XDS-475	4.750	4.560	.218	.078	4.610	.086	23,503	40,291
XDS-500	5.000	4.800	.218	.078	4.860	.086	24,740	42,412
XDS-550	5.500	5.280	.250	.093	5.340	.103	31,102	55,983
XDS-600	6.000	5.775	.250	.093	5.840	.103	33,929	61,073
XDS-650	6.500	6.270	.250	.093	6.340	.103	36,757	66,162
XDS-700	7.000	6.765	.250	.093	6.840	.103	39,584	71,251
XDS-750	7.500	7.245	.281	.109	7.320	.120	47,713	85,750
XDS-800	8.000	7.740	.281	.109	7.820	.120	50,894	91,466

¹ Add suffix "-S02" for 302 stainless steel.

² Based on a groove material yield strength of 45,000 psi and a safety factor of 2.

³ Based on a safety factor of 3.

⁴ See pages 126-127 for How to Order.