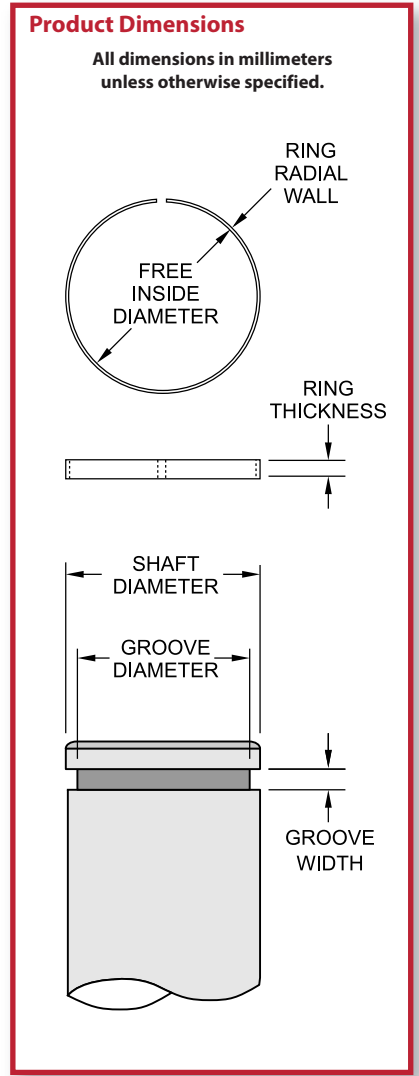
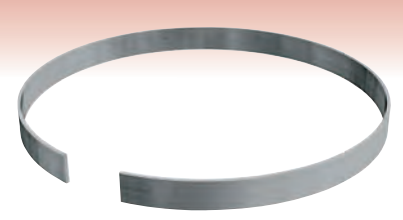


Stock Items available in carbon steel and 302 stainless steel.

Smalley Part Number ^{1,3}	Shaft Diameter	Ring			Groove		Groove Yield (N) ²
		Inside Diameter	Radial Wall	Thickness	Diameter	Width	
HSM-10	10	9.37	.43	1.14	9.57	1.27	1,051
HSM-11	11	10.35	.43	1.14	10.57	1.27	1,156
HSM-12	12	11.33	.43	1.14	11.57	1.27	1,262
HSM-13	13	12.21	.53	1.65	12.47	1.78	1,688
HSM-14	14	13.19	.53	1.65	13.47	1.78	1,818
HSM-15	15	14.17	.53	1.65	14.47	1.78	1,948
HSM-16	16	15.15	.53	1.65	15.47	1.78	2,078
HSM-17	17	16.13	.53	1.65	16.47	1.78	2,208
HSM-18	18	17.03	.61	2.24	17.39	2.36	2,672
HSM-19	19	18.01	.61	2.24	18.39	2.36	2,820
HSM-20	20	18.99	.61	2.24	19.39	2.36	2,968
HSM-21	21	19.97	.61	2.24	20.39	2.36	3,117
HSM-22	22	20.95	.61	2.24	21.39	2.36	3,265
HSM-23	23	21.93	.61	2.24	22.39	2.36	3,414
HSM-24	24	22.91	.61	2.24	23.39	2.36	3,562
HSM-25	25	23.89	.61	2.24	24.39	2.36	3,711
HSM-26	26	24.72	.76	3.00	25.24	3.12	4,824
HSM-27	27	25.70	.76	3.00	26.24	3.12	5,009
HSM-28	28	26.68	.76	3.00	27.24	3.12	5,195
HSM-29	29	27.66	.76	3.00	28.24	3.12	5,380
HSM-30	30	28.64	.76	3.00	29.24	3.12	5,566
HSM-31	31	29.62	.76	3.00	30.24	3.12	5,751
HSM-32	32	30.60	.76	3.00	31.24	3.12	5,937
HSM-33	33	31.48	.86	3.81	32.14	3.94	6,939
HSM-34	34	32.46	.86	3.81	33.14	3.94	7,149
HSM-35	35	33.44	.86	3.81	34.14	3.94	7,359
HSM-36	36	34.42	.86	3.81	35.14	3.94	7,569
HSM-37	37	35.40	.86	3.81	36.14	3.94	7,780
HSM-38	38	36.38	.86	3.81	37.14	3.94	7,990
HSM-40	40	38.34	.86	3.81	39.14	3.94	8,411
HSM-41	41	39.32	.86	3.81	40.14	3.94	8,621
HSM-42	42	40.30	.86	3.81	41.14	3.94	8,831
HSM-45	45	43.13	.97	4.75	44.03	4.88	10,575
HSM-47	47	45.09	.97	4.75	46.03	4.88	11,045
HSM-48	48	46.07	.97	4.75	47.03	4.88	11,280
HSM-50	50	48.03	.97	4.75	49.03	4.88	11,750
HSM-51	51	49.01	.97	4.75	50.03	4.88	11,985
HSM-52	52	49.99	.97	4.75	51.03	4.88	12,220
HSM-55	55	52.93	.97	4.75	54.03	4.90	12,925
HSM-56	56	53.91	.97	4.75	55.03	4.90	13,160
HSM-57	57	54.89	.97	4.75	56.03	4.90	13,395
HSM-58	58	55.87	.97	4.75	57.03	4.90	13,630
HSM-60	60	57.83	.97	4.75	59.03	4.90	14,100
HSM-62	62	59.62	1.14	5.72	60.86	5.87	17,254
HSM-63	63	60.60	1.14	5.72	61.86	5.87	17,532
HSM-64	64	61.58	1.14	5.72	62.86	5.87	17,811
HSM-65	65	62.56	1.14	5.72	63.86	5.87	18,089
HSM-67	67	64.52	1.14	5.72	65.86	5.87	18,645
HSM-68	68	65.50	1.14	5.72	66.86	5.87	18,924
HSM-70	70	67.46	1.14	5.72	68.86	5.87	19,480
HSM-72	72	69.42	1.14	5.72	70.86	5.87	20,037
HSM-75	75	72.36	1.14	5.72	73.86	5.87	20,872
HSM-76	76	73.34	1.14	5.72	74.86	5.87	21,150



¹ Add suffix "-S02" for 302 stainless steel.
² Based on a groove material yield strength of 310 N/mm² and a safety factor of 2.
³ See pages 134-135 for How to Order.