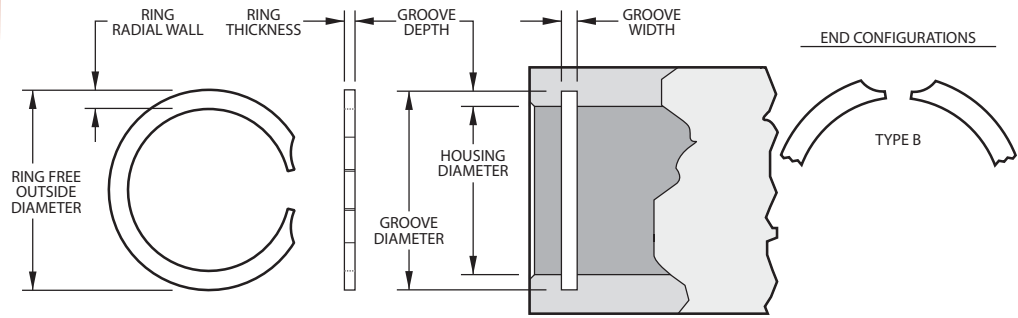
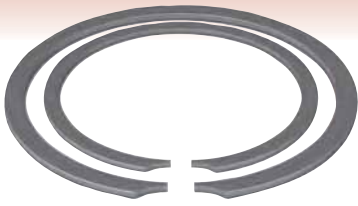


Stock Items available in carbon steel and 302 stainless steel.



Product Dimensions All dimensions in inches unless otherwise specified.

Smalley Part Number ^{1,4}	Housing Diameter	Ring			Groove		Thrust Capacity	
		Outside Diameter	Radial Wall	Thickness	Diameter	Width	Groove Yield (lb) ²	Ring Shear (lb) ³
XDH-112	1.125	1.196	.093	.042	1.181	.046	2,227	5,655
XDH-125	1.250	1.330	.093	.042	1.310	.046	2,651	6,283
XDH-137	1.375	1.460	.093	.042	1.435	.046	2,916	6,912
XDH-150	1.500	1.600	.125	.042	1.580	.046	4,241	7,540
XDH-162	1.625	1.725	.125	.042	1.705	.046	4,595	8,168
XDH-175	1.750	1.855	.125	.042	1.830	.046	4,948	8,796
XDH-187	1.875	1.990	.156	.042	1.965	.046	5,964	9,425
XDH-200	2.000	2.115	.156	.042	2.090	.046	6,362	10,053
XDH-206	2.062	2.177	.156	.042	2.152	.046	6,559	10,365
XDH-218	2.187	2.302	.156	.042	2.277	.046	6,957	10,993
XDH-231	2.312	2.432	.156	.042	2.402	.046	7,354	11,621
XDH-243	2.437	2.557	.156	.042	2.527	.046	7,752	12,250
XDH-256	2.562	2.682	.156	.042	2.652	.046	8,149	12,878
XDH-300	3.000	3.154	.187	.062	3.124	.068	13,148	21,130
XDH-325	3.250	3.404	.187	.062	3.374	.068	14,243	22,891
XDH-350	3.500	3.654	.187	.062	3.624	.068	15,339	24,652
XDH-375	3.750	3.904	.187	.062	3.874	.068	16,434	26,413
XDH-400	4.000	4.155	.187	.062	4.125	.068	17,671	28,174
XDH-425	4.250	4.429	.218	.078	4.394	.086	21,630	36,050
XDH-450	4.500	4.679	.218	.078	4.644	.086	22,902	38,170
XDH-475	4.750	4.929	.218	.078	4.894	.086	24,175	40,291
XDH-500	5.000	5.184	.218	.078	5.144	.086	25,447	42,412
XDH-525	5.250	5.434	.218	.078	5.394	.086	26,719	44,532
XDH-575	5.750	5.934	.218	.078	5.894	.086	29,264	48,773
XDH-600	6.000	6.220	.250	.093	6.160	.103	33,929	61,073
XDH-650	6.500	6.730	.250	.093	6.660	.103	36,757	66,162
XDH-700	7.000	7.240	.250	.093	7.160	.103	39,584	71,251
XDH-725	7.250	7.500	.250	.093	7.410	.103	40,998	73,796
XDH-750	7.500	7.760	.250	.093	7.660	.103	42,412	76,341
XDH-800	8.000	8.285	.250	.093	8.160	.103	45,239	81,430

¹ Add suffix "-S02" for 302 stainless steel.

² Based on a groove material yield strength of 45,000 psi and a safety factor of 2.

³ Based on a safety factor of 3.

⁴ See pages 134-135 for How to Order.